

2019

# Optimum fire protection



[RSP-PIPES.COM](http://RSP-PIPES.COM)  
[RSP-ROHRE.DE](http://RSP-ROHRE.DE)

**RSP**<sup>®</sup>

# Reliable fire protection

## The complete solution for mixed installations made from cast iron and plastic

Products and measures for fire protection and sound insulation suitable for construction sites, specifically for mixed installations (cast iron and plastic)

### Your benefits at a glance

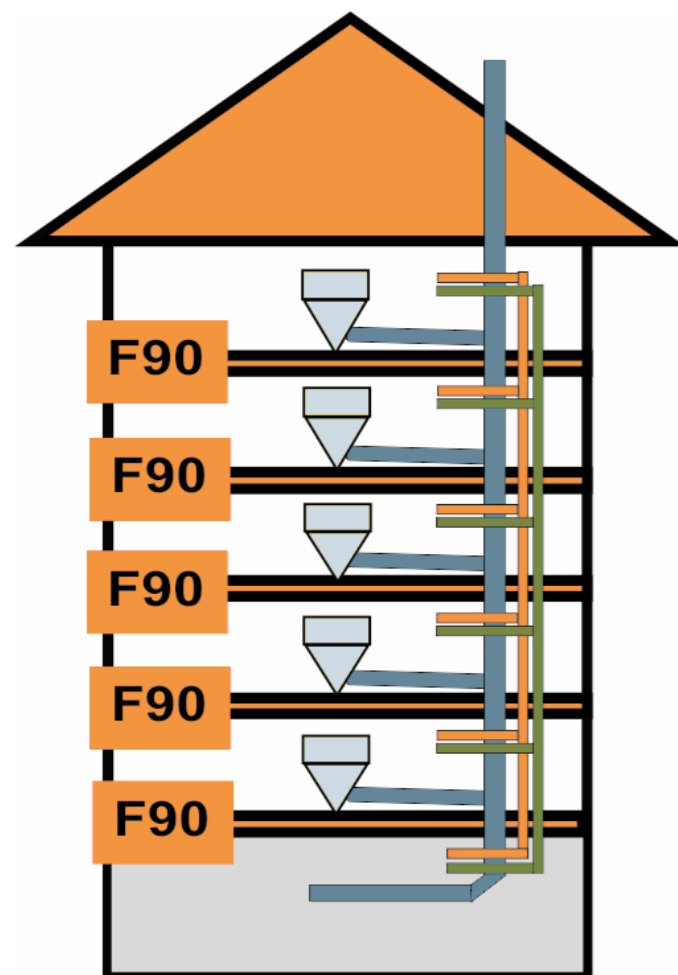
- Simple planning and handling
- Cost-saving application tailored to the specific case
- Professional and well-founded information and consulting service

# Optimum fire protection thanks to cast iron

Cast iron wastewater systems are classified as “non-combustible” according to DIN EN 13501-1 and therefore offer optimum protection for humans and animals in the event of fire.

Unlike plastic, they prevent the spread of fire and do not emit any smoke or toxic gases into the rooms.

Heat conduction is also not a problem for cast iron. Only certain minimum distances from flammable plastic pipes must be observed.



Cast iron pipe DN 50 to DN 150 with plastic pipe connection

- Change of material in the pipe and at the connection
- Branches at any height
- Solutions for existing buildings
- Beams, floor drains
- Warping
- Spacing
- All without a facing

# Top products at a glance

## Pipe isolation

Two products are essential for isolation: the RSP® BS Fire Protection Coupling, which closes the pipe, and the RSP® BS Flex, a flexible panel that provides sound insulation and a tight ceiling seal in the ceiling opening. If necessary, further insulation should be installed above the ceiling.



### 1. RSP® BS Fire Protection Coupling

The stainless steel coupling is a fire protection coupling for the floor-by-floor isolation of cast iron pipes in household drainage systems.

#### Main features

- Housing made from stainless steel (material no. 1.4510), screw and lock made from steel, electrogalvanised
- A continuous EPDM seal with protection against mechanical influences
- Tested as a pipe coupling in accordance with DIN EN 877 (TÜV Rheinland LGA Products, test report no. 21254112-003 and 21254112-004)
- Simple, very space-saving assembly like a conventional coupling
- The general installation and mounting rules from the pipe manufacturers for the assembly of cast iron pipes remain in force
- Same height from DN 50 to DN 150, thus always the same space requirement



### 2. RSP® BS Flex

- Installation in the ceiling for fire protection and sound insulation
- 4 mm thick
- Flexible and aluminium-laminated (grid-reinforced)
- Consisting of foaming building material in the event of fire for the safe closure of cracks or openings
- Material approval ABZ no. Z-19.11-2100



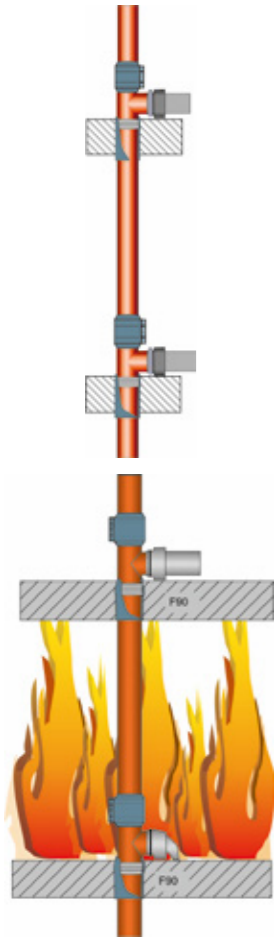
### 3. Further insulation

- 4 mm / 9 mm thick, aluminium-laminated glass needle mat
- Test certificate for the building material: abP no. P-2005-6-2460-03
- One size for all dimensions (roll goods)
- Simple assembly thanks to thin insulation

The entire product range is available to download online at [www.rsp-pipes.com/products/fire-protection](http://www.rsp-pipes.com/products/fire-protection)

# Installation variants

## Installation in the pipe DN 50 to DN 125



The isolation is designed for simplicity in terms of planning and execution. Pipe installation is the most effective type of installation. Fire protection is carried out directly during pipe assembly.

### Function

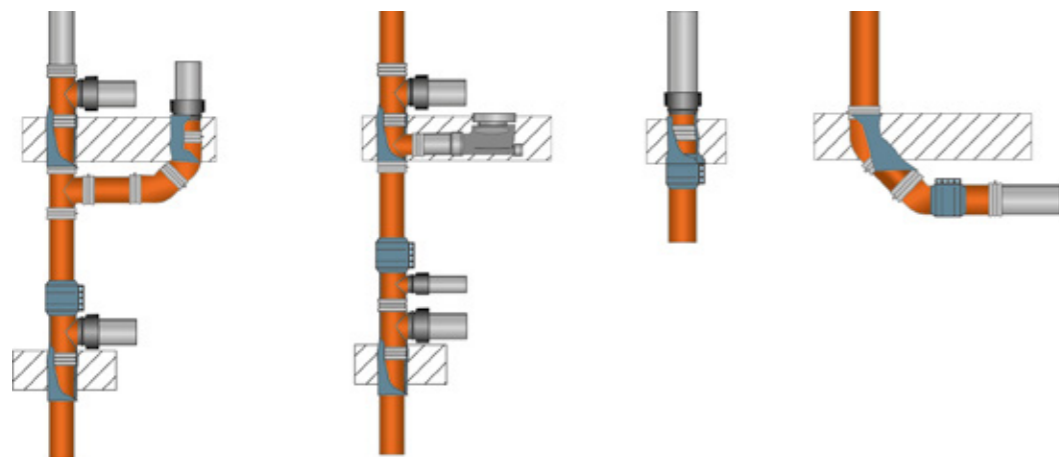
In the event of fire, the plastic pipe connected to the branch burns away and the fire protection coupling closes the cast iron pipe. This prevents hot flue gases from passing through the cast iron pipe to the floor above. The fire protection coupling must always be connected above the highest connection of the plastic pipe.

### Easy, secure and flexible

- All common plastic pipes can be connected
- The plastic pipes can be connected at any height
- No additional workload during assembly
- No facing required
- Only one fire protection coupling, independent of the number of connections within the floor
- Reduced distances to copper, steel, stainless steel and metal composite pipes according to abP no. P-BWU03-I 17.6.6

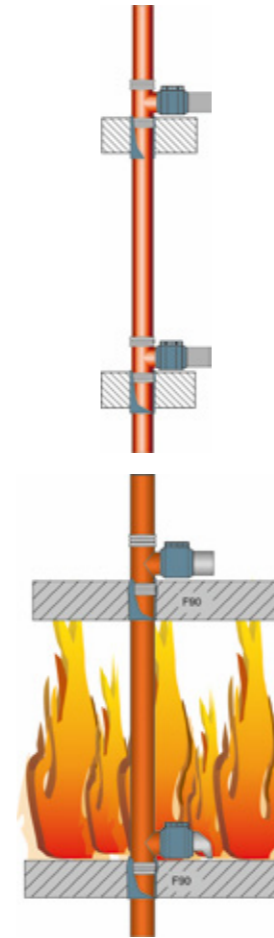
to DN 100

DN 125



RSP 6

# Installation at the branch, pipe up to DN 150



The fire protection coupling can also be mounted at the branch. Every branch must be secured.

### Function

In the event of fire, the plastic pipe burns away at the branch and the fire protection coupling closes the connection at the cast iron branch. This prevents hot flue gases from passing through the connector at the cast iron pipe to the floor above.

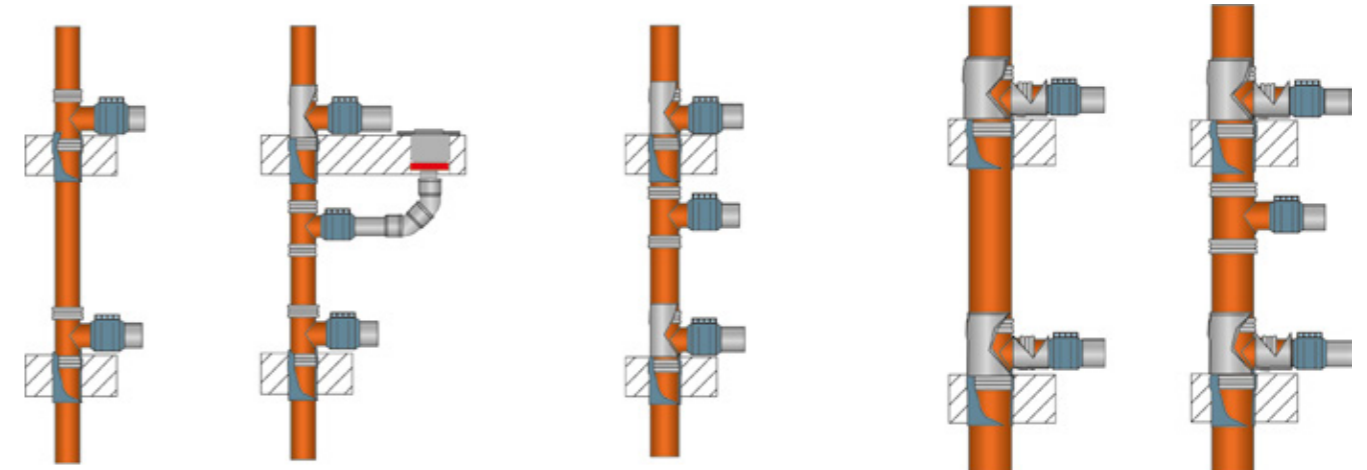
### Easy, secure and flexible

- Direct connection of plastic pipes is possible
- All common plastic pipes can be connected
- The plastic pipes can be connected at any height
- No additional workload during assembly
- No facing required
- The connection lines can be replaced on existing cast iron pipes

to DN 100

up to DN 125

DN 150



RSP 7

**RSP-PIPES.COM**  
**RSP-ROHRE.DE**

**RSP<sup>®</sup>**

**RSP** Ruck Sanitärprodukte GmbH  
Kirchstraße 1, 83126 Flintsbach am Inn, Germany

Phone: +49 8034 7082-0  
Fax: +49 8034 7082-22  
info@rsp-rohre.de

www.rsp-pipes.com